

Dovre Sense - Log Guard Removal

Addendum to Installation Instructions

General



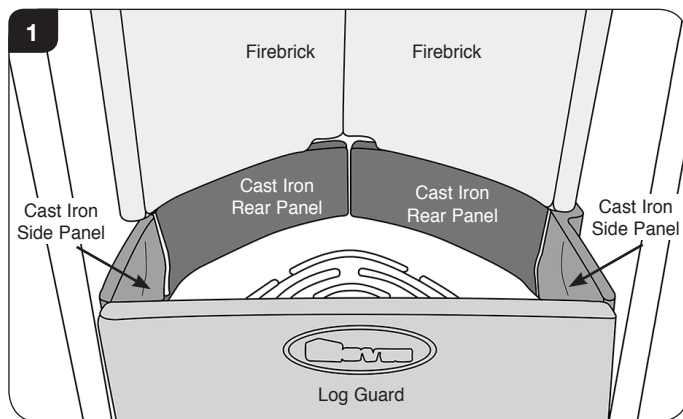
THIS ADDENDUM MUST BE ATTACHED TO AND READ IN CONJUNCTION WITH THE INSTALLATION AND USER INSTRUCTIONS FOR:

Dovre Sense
- Installation instructions and operating manual

The instructions in this addendum is an additional section containing information not in the instruction manual. This must be left with the user following installation.

1. Removal of the Log Guard

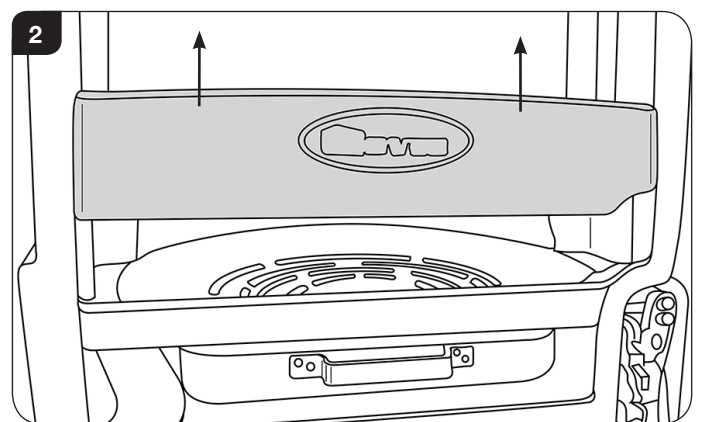
- 1.1 The Log Guard can be removed to aid in the installation or as part of the routine maintenance. This can be carried out without the use of tools.
- 1.2 The firebox is made up of the following components.



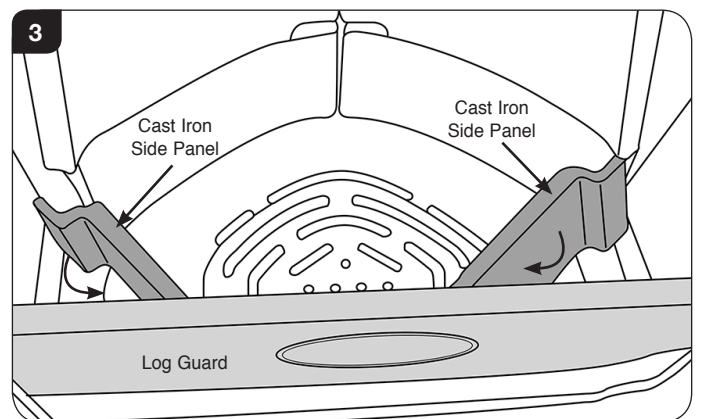
The Firebricks and cast iron rear panels do not need to be removed.

To remove the Log Guard:

- 1.3 Raise the Log Guard to its natural stop, approximately 40mm, see Diagram 2.

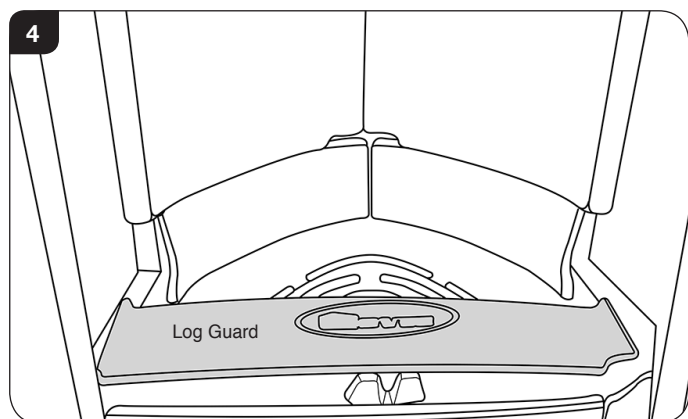


- 1.4 Slide the front edge of the cast iron side panels inwards, see Diagram 3.



- 1.5 Disengage the cast iron side panels from the rear panels and remove.
- 1.6 Lower the Log Guard.

1.7 Lay the Log Guard on the base of the firebox, see Diagram 4.



1.8 Remove the Log Guard from the firebox at an angle.

1.9 Fitting is the reverse of this procedure.

Ensure that the back edge of the cast iron side panels locate behind the front edge of the rear panels.



United Kingdom and Eire distributors for Dovre:

STOVAX

Stovax Limited, Falcon Road, Sowton Industrial Estate, Exeter, Devon, England, EX2 7LF.

Telephone: (01392) 474011 Fax: (01392) 219932

E-mail: dovre@stovax.com Internet: www.dovre.co.uk