

Heat Shield

HSF 4.1 for Astroline 4

Assembly & Installation Instructions

For use in GB, IE (Great Britain and Eire)

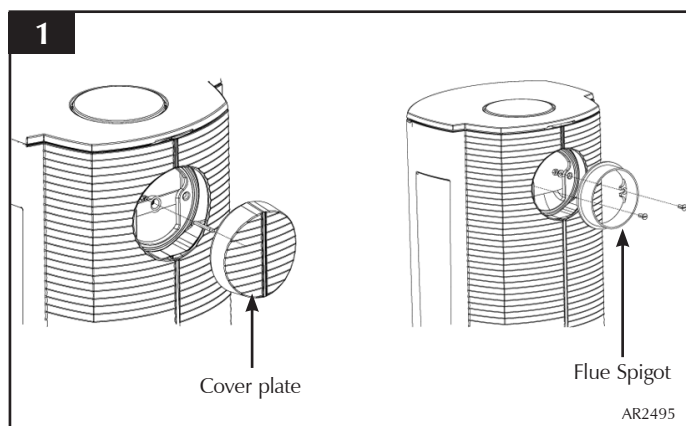


This appliance has been certified for use in countries other than those stated. To install this appliance in these countries, it is essential to obtain the translated instructions and in some cases the appliance will require modification. Contact Stovax for further information.

ASSEMBLY INSTRUCTIONS

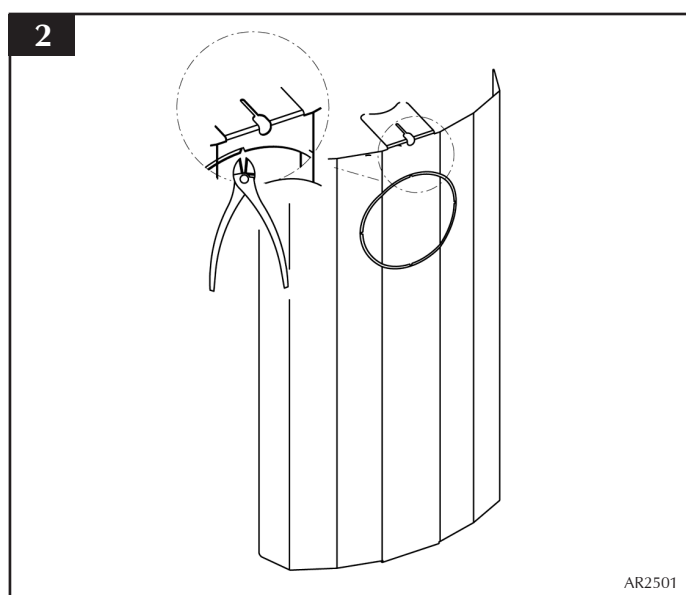
PRE-INSTALLATION

Remove the cover plate at the back of the appliance if you want to install a rear connection, Diagram 1. For full details see Dovre Astroline 4 manual.



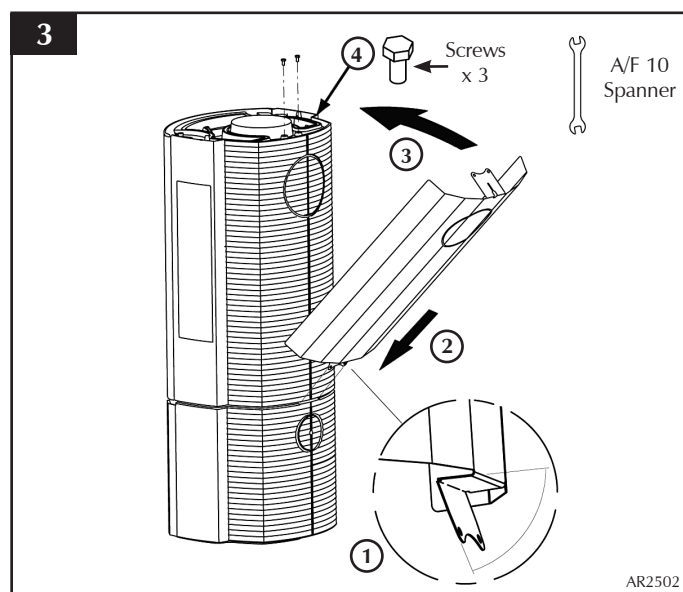
INSTALLATION

1.1 Remove the cover plate if a rear flue exit is required, Diagram 2.



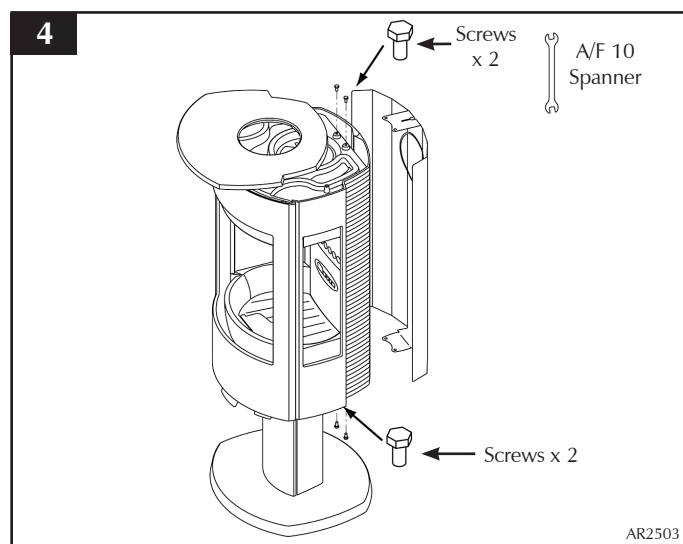
Astro 4 CB/MF Woodbox

- 1.2 To attach to the Woodbox model:
1. Fold the Attachment tabs along the perforated line as shown.
 2. Slide the panel into the appliance.
 3. Tilt the top towards the appliance.
 4. Insert the screws in the holes provided.



Astro 4 CB/MF Pedestal

- 1.3 To attach to the Pedestal model:
1. Hold the Heat Shield in the correct position.
 2. Insert the screws in the holes provided.



United Kingdom and Eire distributors for Dovre:

STOVAX

Stovax Limited, Falcon Road, Sowton Industrial Estate, Exeter, Devon, England, EX2 7LF.

Telephone: (01392) 474011 Fax: (01392) 219932

E-mail: dovre@stovax.com Internet: www.dovre.co.uk