

# *Heat Shield*

## *HSW 3.1 For Astroline 3*

# Assembly & Installation Instructions

For use in GB, IE (Great Britain and Eire)

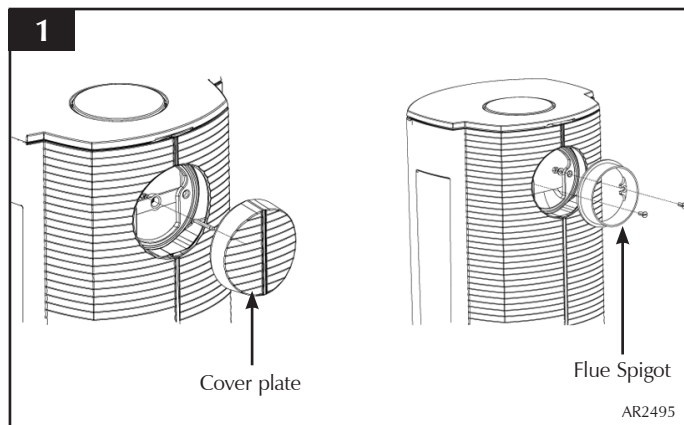


This appliance has been certified for use in countries other than those stated. To install this appliance in these countries, it is essential to obtain the translated instructions and in some cases the appliance will require modification. Contact Stovax for further information.

# ASSEMBLY INSTRUCTIONS

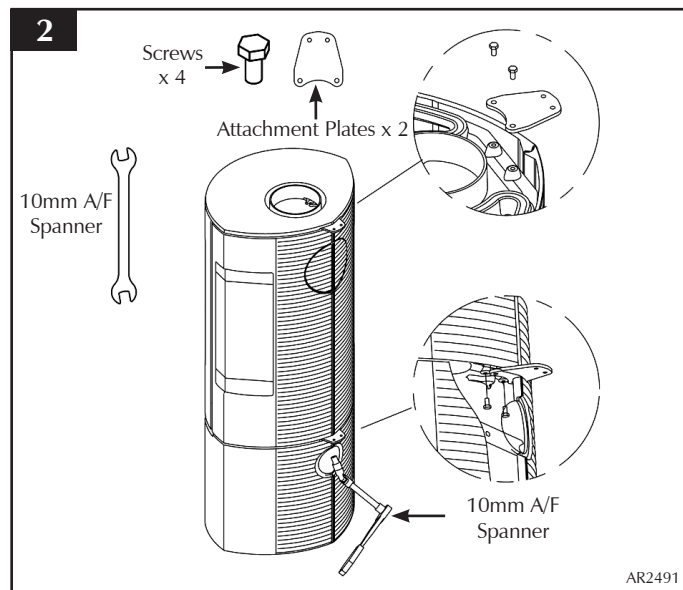
## PRE-INSTALLATION

Remove the cover plate at the back of the appliance if you want to install a rear connection, Diagram 1. For full details see Dovre Astroline 3 manual.

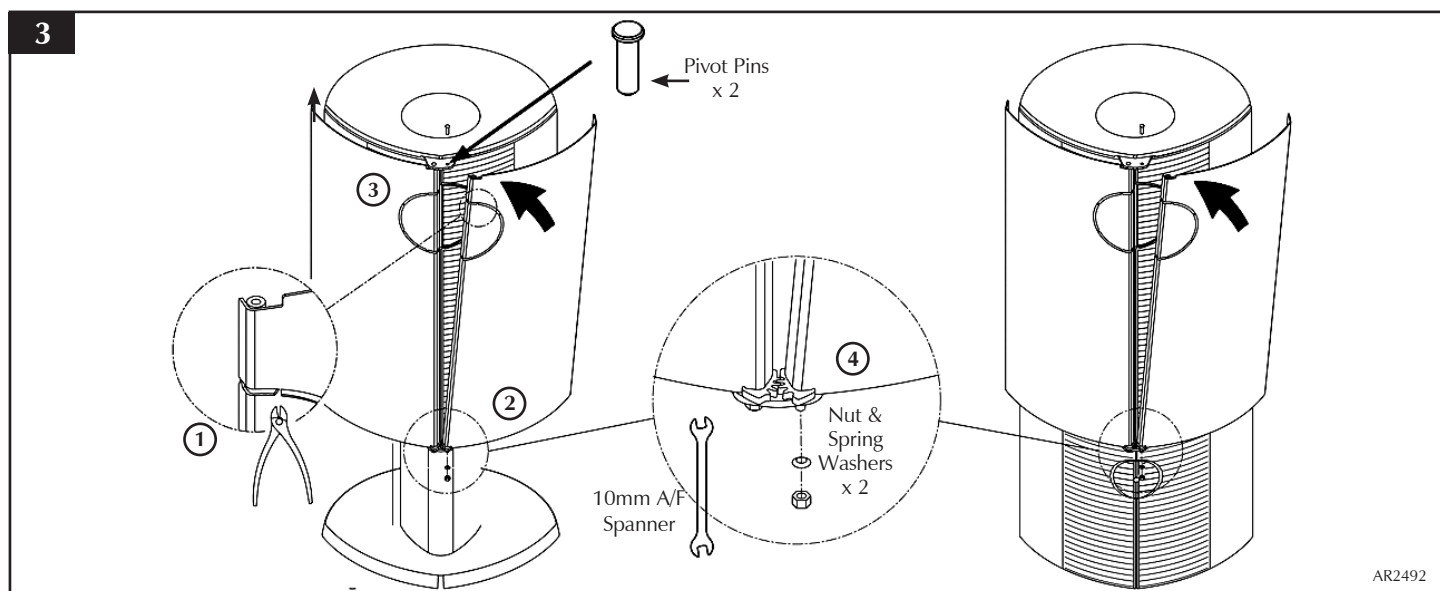


## INSTALLATION

1.1 Install the Attachment plates at the top and bottom of the appliance, Diagram 2.



- 1.2 To attach the shield:
1. Remove the cover plate if a rear flue exit is required.
  2. Position the right-hand shield in the attachment plate at the bottom and secure at the top with a pivot pin.
  3. Position the left-hand shield in the plate at the bottom and ensure the panels are aligned symmetrically.
  4. Secure with a pivot pin.
  5. Use a nut and spring washer at the bottom to stop the shields from moving.



United Kingdom and Eire distributors for Dovre:

## STOVAX

Stovax Limited, Falcon Road, Sowton Industrial Estate, Exeter, Devon, England, EX2 7LF.

Telephone: (01392) 474011 Fax: (01392) 219932

E-mail: [dovre@stovax.com](mailto:dovre@stovax.com) Internet: [www.dovre.co.uk](http://www.dovre.co.uk)