



**MULTIBRANDSTOFKACHEL
POELE MULTI-COMBUSTIBLES
MULTIFUEL STOVE
MULTIBRENNSTOFFOFEN**

250



**INSTALLATIEVOORSCHRIFTEN EN GEBRUIKSAANWIJZING
INSTALLATION ET MODE D'EMPLOI
INSTALLATION INSTRUCTIONS AND OPERATING MANUAL
EINBAUANLEITUNG UND GEBRAUCHSANWEISUNG**

Table of contents

	<u>pag</u>
Foreword	22
1. Introduction.....	22
2. Safety.....	22
3. Installation guideline.....	23
3.1. Preliminary measures.....	23
3.1.1. The chimney	23
3.1.2. Ventilation.....	24
3.1.3. Floor, walls.....	24
3.2. Preparing the stove.....	25
3.2.1. Assembling and installing the legs.....	25
3.2.2. The smoke outlet.....	25
3.2.3. Assembling the knob	26
3.3. Finishing.....	26
3.4. Packaging materials.....	26
4. Instructions for use	27
4.1. Fuel.....	27
4.2. Lighting a fire.....	27
4.3. Burning wood	28
4.4. Burning coal.....	28
4.5. Ash removal.....	29
4.6. Low heating	29
4.7. Extinguishing the fire.....	29
4.8. Weather conditions	29
5. Maintenance.....	30
Annex 1 : Technical data sheet	40
Annex 2 : Dimensions	41

Inhalt

	<u>pag</u>
Vorwort.....	31
1. Einleitung.....	31
2. Sicherheit.....	31
3. Montagevorschrift.....	32
3.1. Vorher.....	32
3.1.1. Der Schornstein.....	32
3.1.2. Lüftung des Raumes	33
3.1.3. Fussboden, Wände	33
3.2. Vorbereitende Arbeiten.....	34
3.2.1. Montage der Füße.....	34
3.2.2. Rauchgasausgang	34
3.3. Abfertigung	35
3.4. Verpackungsmaterialien.....	35
4. Gebrauchsanleitung.....	36
4.1. Brennstoff	36
4.2. Anzünden.....	36
4.3. Heizen mit Holz	37
4.4. Heizen mit Kohlen.....	37
4.4. Entaschen.....	38
4.5. Geringes Heizen	38
4.6. Auslöschten.....	38
4.7. Wetterlage	38
5. Wartung.....	39
Anlage 1 : Technischen Daten	40
Anlage 2 : Abmessungen	41

Foreword

The Installation Manual and Operators Instructions must accompany this appliance. As well as instructions for installation and information about use, you will also find advice concerning safety and maintenance.

Please read this booklet carefully before installation and before firing the unit. Save this booklet and pass to any subsequent user who can also profit by it.

1. Introduction

Your DOVRE purchase has made you the owner of a high quality product that symbolizes a new generation of energy-saving and ecologically safe heaters, producing convection heat as well as radiant heat with optimum efficiency. Through the application of a revolutionary combustion concept DOVRE heaters achieve astonishing results in full compliance with strict environmental and safety norms. Also, you will be enjoying the lovely sight of the fire blazing in the stove.

Our heaters are produced in accordance with ISO 9002, using state-of-the-art production means.

In the unlikely event of a malfunction, you can always rely on DOVRE's after-sales service.

This heater is designed to be installed in a living room and to be hermetically connected to a flue (chimney).

If the stove is professionally installed, connected to a well-functioning chimney and sufficiently ventilated, you can take the long-term and trouble-free functioning of your heater for granted.

Please consult an expert when installing and connecting the heater.

2. Safety

The heater is designed to heat a room, which means that all surfaces, including the front glass, can get very hot (> 100 °C).

Please do not place any curtains, clothes, laundry, furniture or other combustible materials on or near the heater.

It is advised to make a fire in the stove with the highest possible intensity right after it is installed, so as to cure the heat-resistant paint finish. This may involve some odour production, which will however disappear after a while.

It is necessary to maintain and regularly clean the stove and the chimney for the stove to function safely and for a long period of time. Please follow the cleaning instructions in the chapter concerned.

In case of a chimney fire, immediately close all air intake vents of the appliance and alert the fireman.

Broken glass should be replaced before using the heater again.

The stove is specifically designed for burning certain kinds of fuels. In the technical specifications under cover you can find detailed information concerning this topic. It is absolutely prohibited to burn fuels other than these, as this may damage your heater. Moreover, it is ecologically harmful.

3. Installation guideline

3.1. Preparatory measures

The stove should be hermetically connected to a well-functioning chimney, sufficiently enclosed to keep combustible materials (floor and walls) at a distance, and should be installed in a room with sufficient ventilation.

Please inform about national or local norms and regulations concerning this subject. Your distributor will give you the necessary advice.

You can also consult the fire department and/or an insurance company about specific demands or regulations.

Please read the technical specifications under cover in this manual before installing the stove.

3.1.1. *The chimney*

The chimney (the flue) has a double function:

- It draws air, that is necessary for good combustion, into the stove.
- It functions as an exhaust pipe for combustion gases via thermal or natural draught. Thermal draught is caused by the difference in heat between the air in and outside the flue. The heated air in the flue is lighter than the colder air outside the flue and consequently rises up, along with the combustion gases. Natural draught is caused by environmental phenomena, such as wind.

It is prohibited to connect several heaters to one chimney (for instance the central heating boiler), unless local or national regulations allow this.

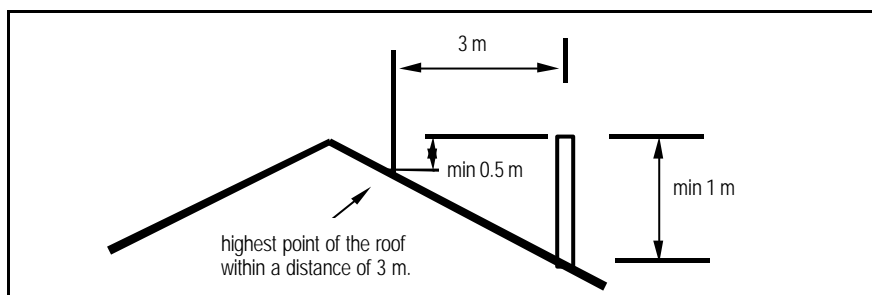
Please check which chimney is to be used for the stove you purchased and whether your chimney is appropriate for this specific usage. You should consider an expert's opinion on this matter.

The chimney should meet the following conditions:

- The flue should be made of fireproof material. Ceramic or stainless steel is recommended.
- The chimney should be airtight and thoroughly cleaned and should guarantee a sufficient draught (a draught or negative pressure of 15 to 20 Pa is ideal under normal circumstances).
- It should run as vertically as possible. Changes in direction or horizontal segments will disrupt the smoke flow and may cause soot to cumulate inside the flue (and clog the flue!).
- The chimney's inside dimensions must not be too large in order to prevent the smoke from cooling off too much. For recommended chimney dimensions, see the technical specification under cover. Larger dimensions can be used if the flue is well insulated.
- The flue's diameter should be the same throughout its whole length. Wider, or especially narrower segments will disrupt the smoke flow and are best avoided. The same is true for a cover plate or exhaust hood on top of the chimney. The exhaust hood must not narrow the chimney's outlet and should be designed in a

way that wind will not hinder, but promote the smoke flow.

- Especially if the flue runs through unheated rooms or outside the house, further insulation is necessary. Metal chimneys, or parts of the chimney outside heated rooms should always have double-walled, insulated flues. The part of the chimney outside the roof should always be insulated.
- The chimney should be high enough (at least four metres) and should end in a zone that is clear of nearby buildings, trees or other obstacles. The rule of thumb here is: 60 cm above the ridge of the roof. If the distance between the ridge and the chimney measures more than three metres, see the dimensions stipulated in the illustration below. Depending on the presence of nearby buildings or trees, the chimney should be higher.



3.1.2. Ventilation

The burning of wood, charcoal or gas involves oxygen consumption. It is of the utmost importance that the room in which the stove is installed should be sufficiently ventilated.

Insufficient ventilation may disrupt the combustion process and cause the smoke flow through the chimney to be interrupted, which may lead to smoke emissions into the room.

If necessary, you can install a ventilation grille to provide a constant flow of fresh air in the room. This precaution is particularly necessary in well-insulated rooms with mechanical ventilation.

Ensure not to use other air-consuming appliances, such as heaters, cooking hoods, bathroom ventilators, in the same room or in the house while the stove is burning; or make sure to have an extra ventilation grille installed for these appliances.

3.1.3. Floor, walls

A safe distance should be kept between the stove and combustible materials such as wooden walls and furniture. If you purchased a freestanding stove, this distance should be at least forty centimetres.

The appliance shall be installed on floors with an adequate load-bearing capacity.

Combustible floors require sufficient protection against radiant heat by means of a fireproof protective plate. Rugs and carpets must be kept at a distance of at least eighty centimetres from the fire.

3.2. Preparing the stove

Please inspect the stove for damage caused during transport immediately after delivery and notify your distributor in case there are any defects. Do not put the stove into operation in the meantime.

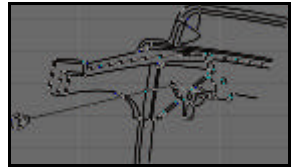
In order to avoid damaging the stove during installation and to make handling of the stove easier, it is recommended to remove previously all loose parts (fire-resistant bricks, grille, ashtray, ...) from the stove. Note the location of those parts while removing them, so that you have no difficulties in re-assembling the parts later on.

The stove will be supplied with the following parts:

- A set of legs
- A connection collar with fastening brackets
- A "cold hand" to remove the ashtray
- A small shovel to remove ashes

3.2.1. Assembling and installing the legs (see sketch)

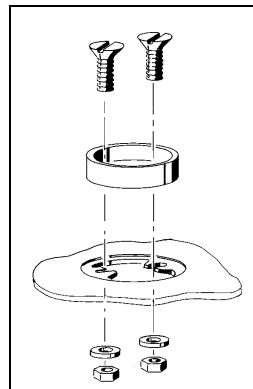
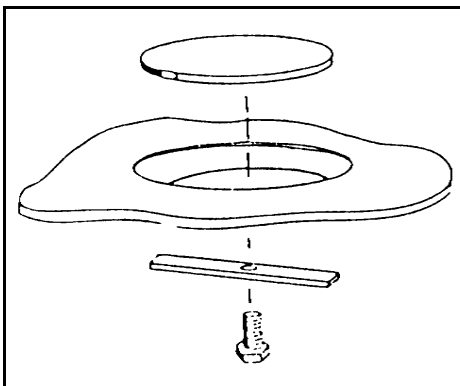
Assemble both parts of the legs at the requested length using the M6 bolts and rings. Tilt the stove backwards and mount the legs on the pre-installed M8 bolts on the bottom plate of the stove.



3.2.2. The smoke outlet

The stove can be connected to the chimney at the rear or at the top.

Depending on the position chosen, one opening can be covered with the blanking plate supplied, the other one can be equipped with the connection collar supplied. Use the fixings supplied and be sure to tightly seal the connection collar and the blanking plate to the stove by means of the kit or paste supplied.



3.2.3. *Assembling the knob for deashing*

You can simple place the knob on the axis for deashing.

3.3. Finishing

When the stove is placed in the final position and hermetically connected to the chimney, you can replace all of the loose parts.

Your stove is now ready for use.

Attention: never light a fire with the inner plates or refractory stones removed.

3.4. Packaging materials

Packaging materials should be disposed of in a responsible way and in accordance with governmental regulations.

4. Instructions for use

4.1. Fuel

The only suitable fuels for this stove are wood, brown coal briquettes and charcoal. No other fuels are allowed to be burnt, as they can inflict serious damage to your stove.

Do not burn any treated wood either, such as scrap wood, dyed wood, impregnated or preserved wood, plywood or chipboard. The fumes of these, as of synthetic materials, old papers and household waste, are highly polluting for both your stove and your chimney, and for the environment. They also could cause chimney fires.

Wood

Hard woods, such as oak, birch- and fruit-trees, are the ideal fuels for your stove. The wood must have dried for at least two years in a covered and well-ventilated place. Split logs will dry faster. Dry wood should contain no more than twenty per cent moisture.

Wet logs are unsuitable for burning, as they do not produce enough heat and all of the energy is lost in the process of evaporation. Moreover, the burning of wet wood causes badly smelling gases to be released and a thick layer of tar will deposit on the stove panels and in the chimney.

Brown coal briquettes

Brown coal briquettes burn in more or less the same way as wood does. You should only burn briquettes on a bed of charcoal in your stove.

Charcoal

There are several categories of anthracite coal. Some characteristics may be legally determined. For instance anthracite "A" has to contain less than 10% of volatile substances, anthracite "B" less than 12%. The ash content may range from 3 to 13%.

For a good operation of your appliance, the use of anthracite "A" with a low ash content is recommended. A combustible with a high ash content has a lower net heating value. Moreover, the ashes have to be removed more frequently and the fire will go out faster. The recommended calibre is 12/22 or 20/30.

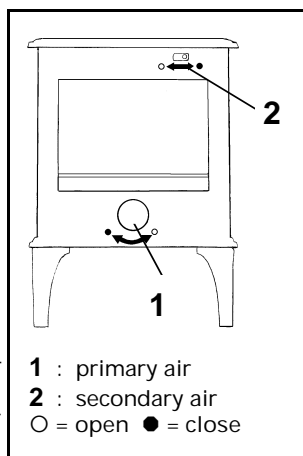
4.2. Lighting a fire

In order to create sufficient draught and to prevent smoke from being emitted into the room, the chimney should be warm enough before lighting a fire. A cold chimney can be heated up by lighting a ball of paper above the fire plate.

To kindle the fire in the stove you can use paper and/or firelighters and small pieces of wood.

Slightly open the door and pull the air slides wide open. See the sketch on how to use the air slides.

It is important that the kindled fire should burn intensely. You can then throw larger pieces of wood onto the fire, and close the doors. When the fire has stabilized and is glowing enough, you can put the logs, the charcoal or the brown coal briquettes on the fire.



4.3. Burning wood

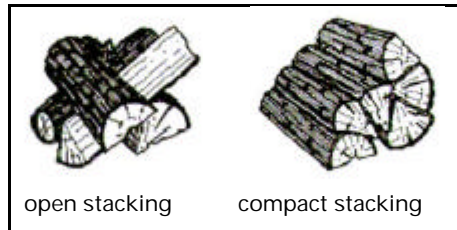
The best way to control the fire is to completely close the lower air slide, which you use to get the fire started, and to regulate the air supply with the upper air slide only. In case the air supply through the upper slide seems insufficient, or if you would like to fan the fire, you can partially open the lower air slide for a while.

Always keep the stove doors tightly closed. Never let the doors open when the fire is burning.

Add extra fuel when necessary. Never add too much fuel. It is best to fill the stove for one third and to top it up on a regular basis.

Always open the filling door slowly and for a short space of time. Before filling up, the charcoal bed should be carefully spread open. Check whether the coals are glowing enough just behind the log retainer, so that the added fuel will immediately catch fire. If necessary you can open the lower air slide for a while.

Open stacking will make the logs burn very intensely, as the oxygen can easily reach every part of the fire. This method of stacking is applied when burning wood for a short while. Compact stacking will make the fire burn slower, as the air can only reach the outer parts of the fire. This stacking method is best used when burning for a longer while.



Low intensity fires cause tar and creosote to deposit in the chimney after a long period of time. Tar and creosote are highly combustible substances. Thicker layers of these substances might catch fire when the temperature in the chimney increases suddenly and steeply. Therefore it is necessary for the fire to regularly burn very intensely, so that thin layers of tar and creosote immediately disappear.

Low intensity fires also cause tar to deposit on the stove panes and doors. When it is not too cold outside it is better to let the stove burn intensely for just a few hours a day.

When it is not too cold outside it is better to let the stove burn intensely for just a few hours a day.

4.4. Burning coal

WHEN BURNING CHARCOAL THE AIR SLIDE ABOVE MUST ALWAYS BE KEPT CLOSED.

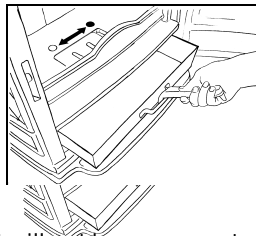
As soon as the fire is sufficiently stable and there is enough glow, the first shovel of coals can be put onto the fire. Complete the filling once the coals have caught fire. Make sure you do not quench the fire by putting too much coals onto it at a time.

Once the fire has burned for a while, adjust the air slide at the bottom of the door. Before adding some extra coals, open the air slide below completely. Use the shaker grate or the supplied shovel, and shake till the glowing parts fall into the ash plate; then add the coals. After a few minutes, adjust the air slide. Add some more coals until you can only see the glow of the previous filling.

When the fire basket or the cast-iron plate fins are red-hot, you are heating too intensely.

4.5. Ash removal

The bottom part of the fire compartment is equipped with a heating or shaker grate, through which the ashes fall into the ashtray. By moving the shaker rod to and from, and/or by using the shovel, you can remove the ashes adequately and gather them in the ashtray. The ashtray can be removed from the appliance by means of the supplied "cold" hand (see picture).



Relatively speaking, burning wood produces little ash and it will not be necessary to remove it each time daily. Moreover, wood burns better on a bed of ash.

When you heat with coals, the ashes should be removed on a regular basis and the ashtray should be emptied frequently. The ashes must NEVER reach the underside of the heating grate.

4.6. Low heating (for devices suitable for continuous use)

To use the device as a 'continuous fire', you can select the primary and secondary air scoops in such a way you get the right burning speed. Always make sure there's enough glow on the heating bottom.

4.7. Extinguishing the fire

Stop fuelling the fire and let it burn out.

Damping a fire by closing the air slides involves the release of noxious gases. You should let the fire burn out and keep an eye on it as long as it is still glowing.

4.8. Weather conditions

Attention!

Mist and heavy fog will block the chimney's smoke outlet and may lead to smoke emissions into the living room. It is best not to use the stove under these weather conditions.

5. Maintenance

It takes only little effort to keep your stove in good condition.

Regularly check whether the sealing cord still closes the doors tightly enough.

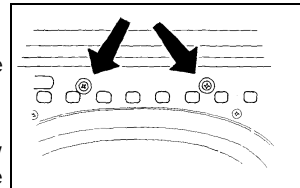
The painted or enamelled cast iron mantle can be cleaned with a moist, soft cloth, when it is almost cold.

Minor paint damage can be touched up with a can of spray paint. Your dealer can supply you with the correct spray product. For enamel damage, small repair kits of appropriate colour are available with your dealer.

During the first use after repainting your unit might give off some slight odour. However, this will disappear quickly.

The glass can be cleaned with a number of glass cleaning products available on the market. Your installer can also supply you with appropriate products. However, never use abrasive or corrosive cleaning products.

A tight upper air slide can be adjusted with the two screws just above the air intake holes on the front plate (see sketch).



At the end of the heating season, seal off the chimney with a ball of paper. You can then thoroughly clean the stove on the inside.

If necessary, replace the sealing ropes and use fire cement to fill up possible leaks. Remove the fire plate for better and more thorough cleaning.

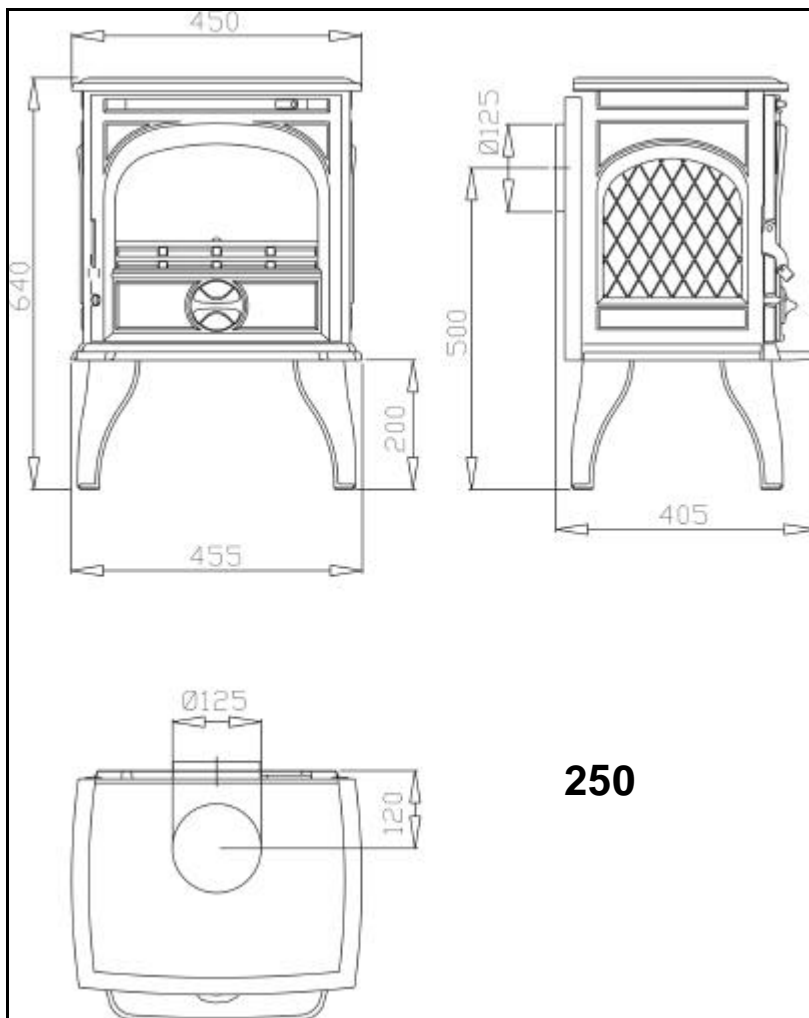
You should have your chimney swept by an expert before the heating season begins. It is useful to check the chimney for soot during the heating season as well. Checking and maintaining the chimney is a statutory requirement.

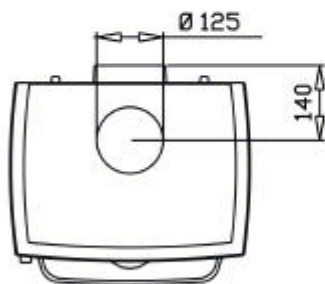
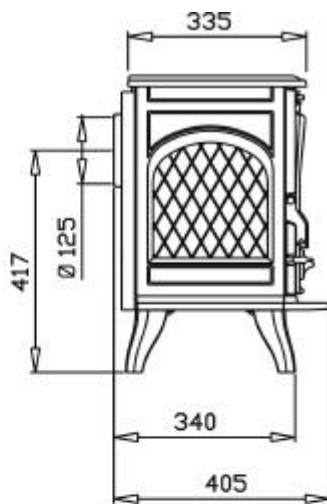
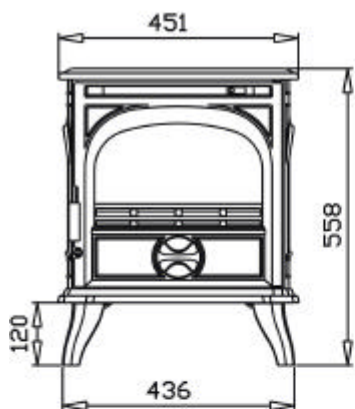
When all of the above advice is heeded, you will be able to fully enjoy your stove.

- Annex 1 : technical data sheet**
Anlage 1 : technischen Daten
Bijlage 1 : technische gegevens
Annexe 1 : données techniques

Model / Modèle / Modell	250		
Nominaal vermogen Puissance nominale Nominal heat output Nominalleistung	6 kW		
Aanbevolen brandstoffen Combustibles conseillés Advised combustibles Empfohlene Brennstoffe	Hout (30 cm) Bois (30 cm) Wood (30 cm) Holz (30 cm)	Bruinkool lignite Browncoal Braunkohl	Kolen Charbon Coal Kohlen
Schoorsteenaansluiting (diameter) Raccordement cheminée (diamètre) Flue connection (diameter) Schornsteinanschluss (Diameter)	125 mm		
Massadebiet van rookgassen (hout) Débit des fumées (bois) Flue gas mass flow (wood) Abgasmassenstrom (Holz)	9.3 g/s	6.1 g/s	g/s
Rookgastemperatuur (hout) Température des fumées (bois) Flue gas temperature (wood) Abgasstutztemperatuur (Holz)	273 °C	236 °C	°C
Minimum trek Dépression minimal Minimum draught Mindesförderdruck	0.10 mbar	0.10 mbar	mbar
Gewicht / Poids / Weight	80 kg		

- Annex 2 : dimensions**
Anlage 2 : Abmessungen
Bijlage 2 : afmetingen
Annexe 2 : dimensions





250 GB

WELFARE

CE-conformiteitsverklaring
Déclaration de conformité CE
EC Declaration of conformity
Konformitätserklärung CE



Notified body: 1641

Wij,
Nous,
We,
Wir,

Dovre nv, Nijverheidsstraat 18, B2381 Weelde,

verklaan bij deze dat de kachel 250 conform is volgens de EN 13240.
déclarons que le poêle 250 est conforme au norme EN 13240.
declare that the stove 250 est in conformity with the EN 13240.
Erklären daß das Produkt 250 entspricht EN 13240.

Weelde, .09.01.2006

T. Gchem


In het kader van een continue productverbetering, kunnen specificaties van het geleverde toestel afwijken van de beschrijving in deze brochure, zonder voorafgaande kennisgeving.

Dans le cadre d'une amélioration constante des produits, les spécifications du produit livré peuvent différer du contenu de ce document, sans avis préalable.

Due to continuous product improvement, specifications of the delivered product may differ from the content of this booklet, without further notice.

Im Rahmen kontinuierlicher Produktverbesserung, können Spezifikationen des geliefertes Produktes von den Beschreibungen in dieser Broschüre abweichen.

DOVRE N.V.
Nijverheidsstraat 18
B-2381 Weelde

Tel : +32 (0) 14 65 91 91
Fax : +32 (0) 14 65 90 09
E-mail : info@dovre.be